

PRODUCT:

QUANTITY:

ITEM#:

### Designed Smart.

#### Increased Performance In Cooking

- Unique Heating system, incorporating special heating elements that transfer heat energy to griddle surface more efficiently than traditional models.
- Fast startup to cooking temperatures (reaches 350 degrees in 11 minutes).
- Provides fast recovery with heat levels reaching 450 degrees.

#### Safety Features

- New bull-nose front extension protects employees from burns.

#### Saves Time and Clean-Up Labor Cost

- Maintenance is easier with bottom-mounted grease collection pan.
- Stainless steel is easy to wipe clean.

### Built Solid.

#### Built to Last!

- Thick, stainless steel construction on front panel and top skirt protects against kitchen "wear and tear" and rust.
- 3/4 inch polished steel griddle surface stands up to years of high output cooking.
- Griddle plate is fully welded to base.
- Welded construction in frame base.

#### Reliability backed by APW Wyott's Warranty

- All APW Wyott cooking equipment is backed by a 3-year limited warranty and a one-year on-site labor warranty.
- Certified by the following agencies:



COUNTERTOP ELECTRIC GRIDDLE

### APW Wyott Design Features

- Stainless steel construction.
- 4" adjustable legs.
- 12" cooking sections for zone control.
- 3/4" flat polished steel griddle plate.
- 3-3/16" spatula-width stainless steel front grease trough.
- 4" x 1" grease chute.
- 4 gallon grease collection drawer.
- 3" stainless steel backsplash.
- Sloped stainless steel side splashes.
- Easy-to-read control knobs.



APW Wyott Foodservice Equipment Company

729 Third Avenue • Dallas, TX 75226 • 800-527-2100 • 1-214-421-7366 • Fax 1-214-565-0976

For more information e-mail us at: [Info@APWwyott.com](mailto:Info@APWwyott.com)

Rev. 1/1/2003

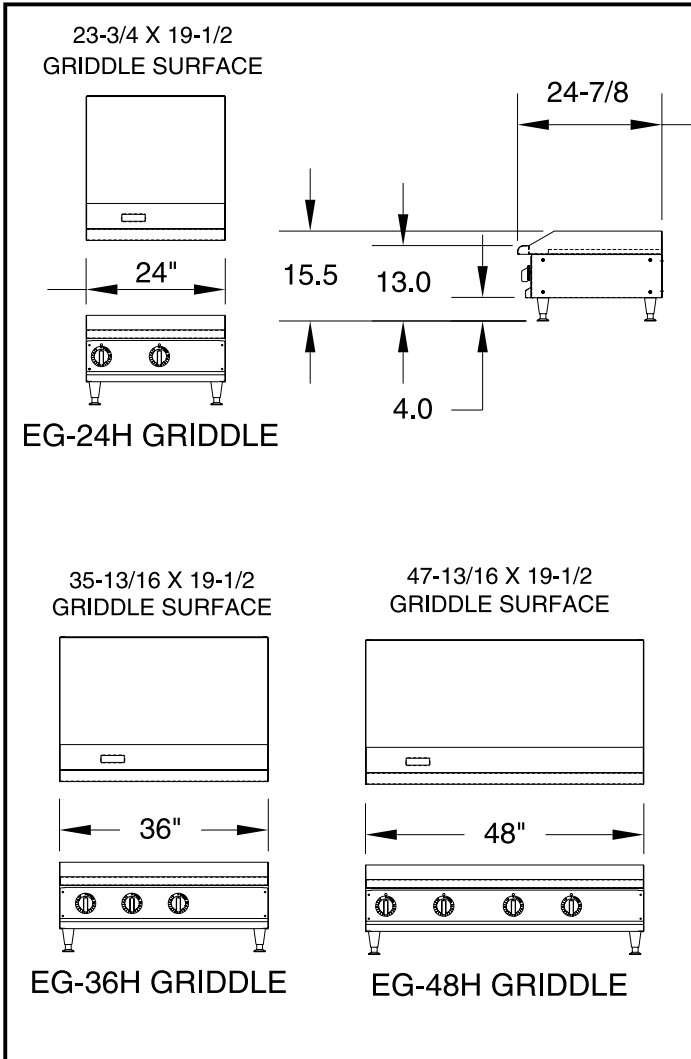
See reverse side for product specifications.

Models:  EG-24H  EG-36H  EG-48H

PRODUCT:

QUANTITY:

ITEM#:



Countertop Electric Griddle

## PRODUCT SPECIFICATIONS

### Construction:

Heavy-duty stainless steel front and top skirt with aluminized steel sides and back. Welded construction. 4" adjustable legs.

### Electrical Specifications:

EG-24H:	208V, 6.75 KW, 32.5 Amps 230V, 8.2 KW, 35.9 Amps 240V, 9 KW, 37.5 Amps
EG-36H:	208V, 10 KW, 48.7 Amps 230V, 12.4 KW, 53.9 Amps 240V, 13.5 KW, 56.3 Amps
EG-48H:	208V, 13.5 KW, 65 Amps 230V, 16.5 KW, 71.9 Amps 240V, 18 KW, 75 Amps

Terminal block located on right side of unit.

### Overall Dimensions:

EG-24H:	15-1/2" H x 24" W x 24-7/8" D (39.2 cm x 61 cm x 62.4 cm)
EG-36H:	15-1/2" H x 36" W x 24-7/8" D (39.2 cm x 91.4 cm x 62.4 cm)
EG-48H:	15-1/2" H x 48" W x 24-7/8" D (39.2 cm x 122 cm x 62.4 cm)

### Ship Weight:

EG-24H:	180 lbs. (81.8 kg)
EG-36H:	252 lbs. (114.5 kg)
EG-48H:	342 lbs. (155.4 kg)

F.O.B. Cheyenne, WY

### World Class Support

World Class Sales Support to assist you with finding the right solution to your operation's needs. Call Customer Service at (800) 527-2100 or Fax your request to (214) 565-0976. For more information about APW Wyott's World Class Support and High Performance Equipment, look us up on the Internet at [www.APWwyott.com](http://www.APWwyott.com)

Most Extensive Service System in the Industry! APW Wyott has three levels of service support for your needs:

- Direct Service Hot Line to Service Department, call (800) 752-0863.
- To find the Registered Service Technician in your area, call Automated Service Hot Line at (800) 733-2203.