



## ESLR9C - Lincat Silverlink 600 Electric Free-standing Oven Range - Castors at Rear - 6 Plates - W 900 mm - 16.5 kW [3-Phase]

Cook quality food at volume with the Silverlink 600 Electric Oven Range.

- ✓ Compact 600mm deep footprint - perfect for care homes as well as smaller pubs and restaurants
- ✓ Six hotplates 3 x 2.0kW, 3 x 1.5kW with six-position control knob for each plate - higher power for sautéing at the front, lower power to the rear ideal for simmering
- ✓ Automatic power reduction, if pan boils dry or is removed - prolonging hotplate life
- ✓ Easy clean fully pressed and sealed hob
- ✓ Powerful 6kW twin fan assisted oven for uniform heat distribution and consistent cooking
- ✓ Double insulated doors, side and back panels providing safer operation, greater efficiency and economy
- ✓ Castors at rear to enable unit to be pulled out for deeper cleans

### Specifications

#### Summary

<b>Brand</b>	Lincat
<b>Range</b>	Silverlink 600
<b>Power Type</b>	Electric
<b>Unit Type</b>	Free-standing
<b>Available in UK Only</b>	No
<b>UK Warranty</b>	2 Years Parts and Labour Warranty
<b>Export Warranty</b>	Contact your local dealer
<b>GTIN</b>	5056105104728

#### Power and Performance

<b>Total Power kW</b>	16.5
<b>Temperature Range °C</b>	50-250
<b>IP Rating</b>	IP34
<b>Temperature Control</b>	Mechanical
<b>Rating per Hob kW</b>	3 x 2.0, 3 x 1.5
<b>Oven Rating kW</b>	6.0

#### Key Specifications

<b>Number of Shelves included</b>	2
<b>Number of Shelf Positions</b>	4
<b>Number of Hobs</b>	6
<b>Shape of Hob</b>	Round

#### Weights and Dimensions

<b>Unit Height (External) mm</b>	932
<b>Unit Width (External) mm</b>	900
<b>Unit Depth (External) mm</b>	670
<b>Height (Internal) mm</b>	428
<b>Width (Internal) mm</b>	725
<b>Depth (Internal) mm</b>	342
<b>Shelf Dimensions Width mm</b>	700
<b>Shelf Dimensions Depth mm</b>	342
<b>Hob Dimensions mm</b>	W900 x D600
<b>Net Weight Kg</b>	95

#### Supply Connections

<b>Requires Installation</b>	Yes
<b>Requires Electrical Supply</b>	Yes
<b>UK 3 Pin Plug</b>	No
<b>Requires Hardwiring</b>	Yes
<b>Electrical Supply Rating Watts</b>	16,500
<b>Three Phase Amps</b>	L1=27.9; L2=27.9; L3=15.9
<b>Three Phase Voltage</b>	400

## Shipping

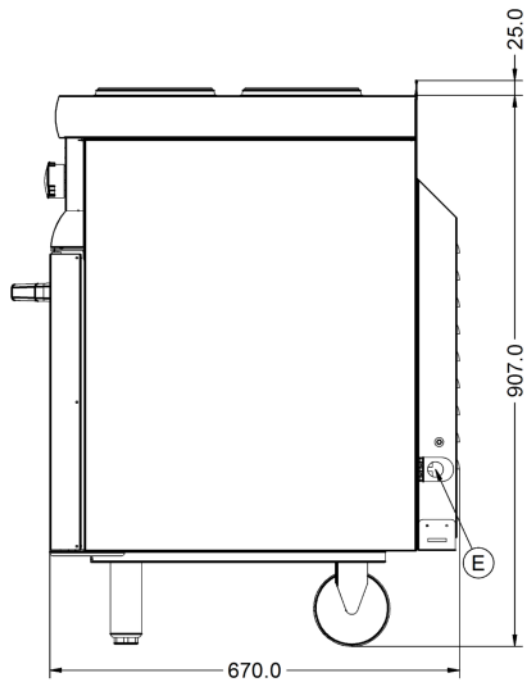
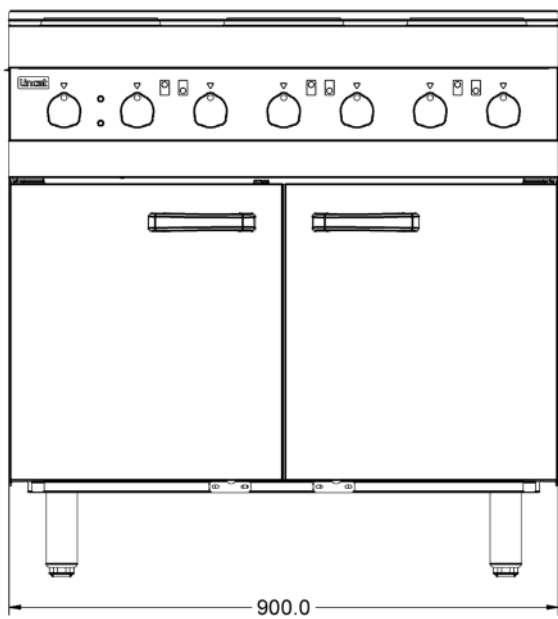
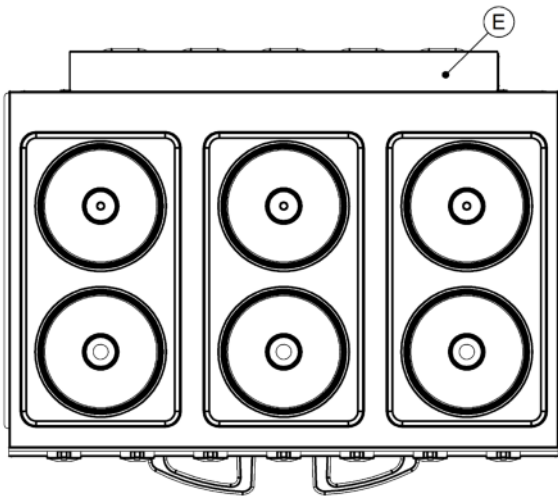
Packed Weight Kg	104.5
Packed Height cm	110
Packed Width cm	100
Packed Depth cm	81

## Available Accessories

SLR9/SB

SPLASHBACK SLR9/FL

## Technical Picture





**Lincat Limited**

Whisby Road,  
Lincoln, LN6 3QZ,  
United Kingdom

**Company No:** 2175448

A member company of



**Customer Care**

**Tel:** +44 1522 875500  
**Email:** care@lincat.co.uk

**Export Customers**

**Tel:** +44 1522 875536  
**Email:** export@lincat.co.uk

**Opening Hours**

**Monday – Friday:**  
8.30am – 5pm